

MAKEN

Heavy Duty Large Cash Drawer

Make It Happen

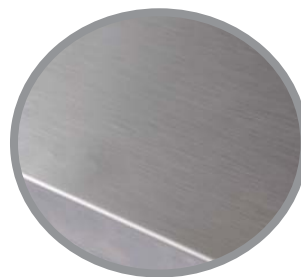
INNOVATION QUALITY SERVICE

FT-460B

It is a flip top cash drawer with detachable metal insert and separated coin cups, which is very popular in compact retail environment, various interfaces available for POS terminal.



Detachable Metal Insert with Separated Coin Cups



Option: Brushed Stainless Top



Option: Granulated Stainless Top



Decorated 2 or 3- position Lock Options



Removable Interface



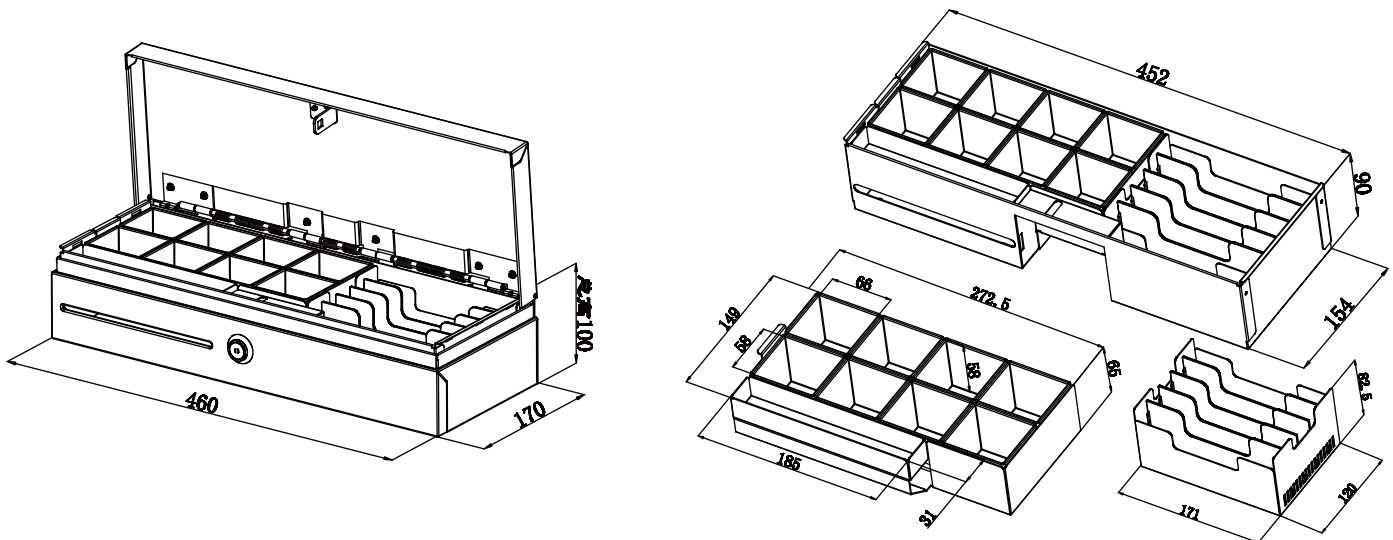
Cable Cover

FT-460B Specifications

MODEL NUMBER	FT-460B
PHYSICAL	
Dimension	460 (W)x170 (D)x100 (H)mm
Construction	Thick Gauge Cold Rolled Steel & SECC
Finish	Textured Hybrid Powder Coat
Color	Black, Beige and Custom Type
CASH TRAY (INSERT) Detachable Metal Cash Tray with Separated Coin Cups	
Construction	Shatter-Resistant Plastic
Currency Layout	8 Adjustable Bills/8 Coins(Detachable Cash Tray with Separated Coin Cups)
Media Slots	1
OPERATION	
Lock	2-Position Lock: Manual Open, Electronically Driven
	3-Position Lock: Manual Open, Electronically Driven, Lock Open/Closed
Interface	RJ11, RJ12, USB, RS232, DC Φ 2.5 /3.5 Jack, custom type
Lifecycle	MTBF 1,000,000 times +
Micro Switch	Cash Drawer Status Micro Switch

OPTION	ACCESSORIES	
	Part Number	Description
Stainless Steel Front		
Cash tray with different currency layout	Tray-460FT	Cash Tray
Different color	Cover-460FT	Lockable Cover for Tray-460FT
Different interfaces		

Packing Details			
Models	Net Weight(kg)	Gross Weight(kg)	Carton Size(cm)
FT-460B	6.24	6.77	50.5 x 22.0 x 15.8



Specifications are subjected to change without notice.

Xiamen Maken Tech Co., Ltd.

No.77,Huli Industrial Zone,Xike,
Tong' an District,Xiamen 361100
Fujian China

Tel: +86-592-5768733
Fax:+86-592-5768735
www.maken.com.cn
E-mail: export@maken.com.cn

